

150W Baby LED



- Type 8921 Tungsten
- Type 8821 Tungsten (Non-DMX)
- Type 8931 Daylite
- Type 8831 Daylite (Non-DMX)

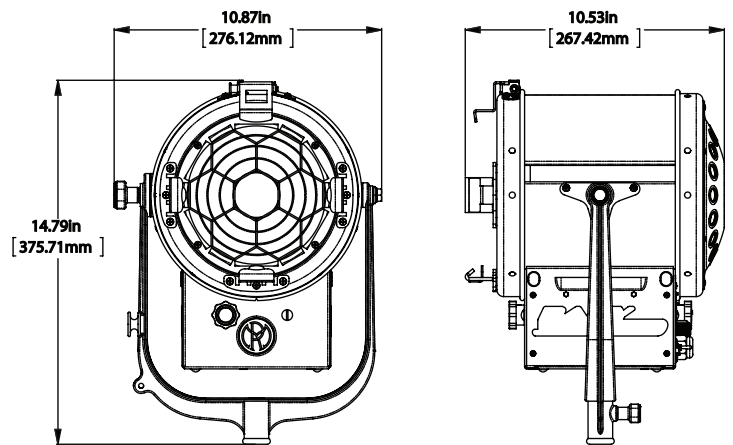
Specifications

- Head(s):** Type 8921 Tungsten and Type 8931 Daylite
- Rating:** 90-250 Volts AC, 50-60Hz, 150 Watts, 2 Amps Max.
DMX Standby Draw <.08 Amps Max.
- Light Source:** (1) - 150 Watt Mole-Richardson Quantum Dot LED
3200K 95CRI Tungsten & 5600K 90CRI Daylight
- Cable:** Detachable 20 ft. (6m) cable, powerCON to Edison with inline toggle switch (included in price of fixture)
- Switch:** Thru-cord Toggle in Cable, DMX or Local Toggle in Trough
- Fuse:** 2 Amp Slow-Blow. Fuseholder in Trough
- Dimming:** Flicker Free, Direct DC Dimming
Local Dimmer 100% - 0% (Minimal Color Shift)
DMX Dimmer 100% - 0% (Minimal Color Shift)
- Control:** DMX512-A In and Out. Manual DMX Address Selector
- Condenser:** 6 in (152mm) Borosilicate Glass Fresnel
- Beam Angle:** 10° to 55° Variable Spot to Flood (Includes Field)
- Focusing:** Rotating Knob on Front and Back
- Cooling:** Passive-Forced Air
- Construction:** Aluminum and Steel with Interlocking Channels
- Yoke:** Cast Aluminum w/Standard 5/8 in (16mm) Receiver
- Compliance:** RoHS, CE, UL, CSA
- IP Rating:** 30
- Finish:** Textured Powder Epoxy Coat.
- Size:** 11 in/279mm(d) x 11 in/279mm(w) x 17 1/4 in/438mm(h)
- Head Weight:** 8.5lbs/3.86kg (Head Only)
11lbs/4.99kg (Head with 25ft/7.6m cable)



Accessories

	Item Number
4-Way BabyLED Barn Door	89285
Diffuser Frame (6 5/8" dia.)	40748A
Half Single Scrim—Stainless Steel (6 5/8" dia.)	407281S
Half Double Scrim—Stainless Steel (6 5/8" dia.)	407281D
Full Single Scrim—Stainless Steel (6 5/8" dia.)	407280S
Full Double Scrim—Stainless Steel (6 5/8" dia.)	407280D
Scrim Bag	G136
Snoot (Set of 3)	40747A
Molesnoot (Five-in-one) Apertures: 2", 2 1/8", 2 3/4", 3 1/8" and 3 1/2"	407184
150 Watt BabyLED Retrofit Kit, Tungsten	892110
150 Watt BabyLED Retrofit Kit, Daylite	893110



Performance Data

Using (1) 150 Watt Mole-Richardson QD LED.

Distance Feet (Meters)	Light Intensity Maximum Flood Foot Candles (Lux)		Light Intensity Maximum Spot Foot Candles (Lux)		Beam Diameter Maximum Flood Feet (Meters)	Beam Diameter Maximum Spot Feet (Meters)
	Daylite	Tungsten	Daylite	Tungsten		
5 (1.5)	460 (4,951)	370 (3,983)	1,800 (19,375)	1,300 (13,993)	3.5 (1.1)	0.9 (0.3)
10 (3.0)	130 (1,399)	100 (1,076)	380 (4,090)	370 (3,983)	7.0 (2.1)	1.7 (0.5)
15 (4.6)	60 (646)	55 (592)	260 (2,799)	170 (1,830)	10.5 (3.2)	2.6 (0.8)

Light tapers smoothly at edge of field. Dimensions listed define flat area boundaries at which the intensities are approximately 50% of tabulated intensities at beam center.

