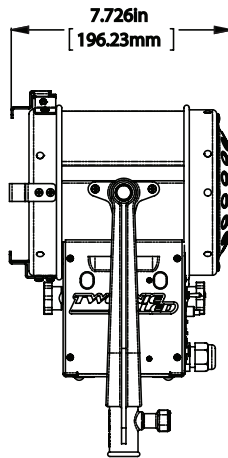
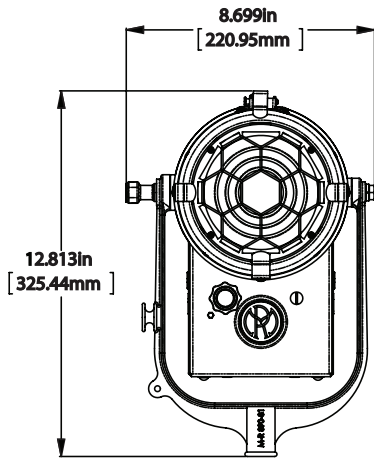


Type 8901 Tungsten
Type 8801 Tungsten (Non-DMX)
Type 8911 Daylite
Type 8811 Daylite (Non-DMX)



Specifications

- Head(s):** Type 8901 Tungsten and Type 8911 Daylite
- Rating:** 90-250 Volts AC, 50-60Hz, 100 Watts, 2 Amp Max.
DMX Standby Draw <.05 Amps Max.
- Light Source:** (1) - 100 Watt Mole-Richardson Quantum Dot LED
3200K 95CRI Tungsten & 5600K 90CRI Daylight
- Cable:** Detachable 20 ft. (6m) cable, powerCON to Edison with
inline toggle switch (included in price of fixture)
- Switch:** Thru-cord Toggle in Cable, DMX or Local Toggle in Trough
- Fuse:** 2 Amp Slow-Blow. Fuseholder in Trough
- Dimming:** Flicker Free, Direct DC Dimming
Local Dimmer 100% - 0% (Minimal Color Shift)
DMX Dimmer 100% - 0% (Minimal Color Shift)
- Control:** DMX512-A In and Out. Manual DMX Address Selector
- Condenser:** 4 1/2 in (113mm) Borosilicate Glass Fresnel
- Beam Angle:** 22° to 56° Variable Spot to Flood (Includes Field)
- Focusing:** Rotating Knob on Front and Back
- Cooling:** Passive-Forced Air
- Construction:** Aluminum and Steel with Interlocking Channels
- Yoke:** Cast Aluminum w/Standard 5/8 in (16mm) Receiver
- Compliance:** RoHS, CE, UL, CSA
- IP Rating:** 30
- Finish:** Textured Powder Epoxy Coat.
- Size:** 8 in/200mm(d) x 9 in/229mm(w) x 16 in/406mm(h)
- Head Weight:** 6lbs/2.72kg (Head Only)
8lbs/3.63kg (Head with 25ft/7.6m cable)



Accessories

	Item Number
4-Way TweenieLED Barn Door	89085
Diffuser Frame (5 1/8" dia.)	40437A
Half Single Scrim—Stainless Steel (5 1/8" dia.)	5526S
Half Double Scrim—Stainless Steel (5 1/8" dia.)	5526D
Full Single Scrim—Stainless Steel (5 1/8" dia.)	5523S
Full Double Scrim—Stainless Steel (5 1/8" dia.)	5523D
Scrim Bag	G135
Snoot (Set of 3)	40438A
Molesnoot (Five-in-one) Apertures: 1", 1 1/4", 2 1/8" and 2 1/2"	23532
100 Watt TweenieLED Retrofit Kit, Tungsten	890110
100 Watt TweenieLED Retrofit Kit, Daylite	891110

Performance Data

Using (1) 100 Watt Mole-Richardson QD LED.

Distance Feet (Meters)	Light Intensity Maximum Flood Foot Candles (Lux) Daylite	Light Intensity Maximum Flood Foot Candles (Lux) Tungsten	Light Intensity Maximum Spot Foot Candles (Lux) Daylite	Light Intensity Maximum Spot Foot Candles (Lux) Tungsten	Beam Diameter Maximum Flood Feet (Meters)	Beam Diameter Maximum Spot Feet (Meters)
5 (1.5)	300 (3,229)	240 (2,583)	430 (4,628)	400 (4,306)	3.7 (1.1)	1.9 (0.6)
10 (3.0)	75 (807)	60 (646)	145 (1,561)	120 (1,292)	7.3 (2.2)	3.8 (1.2)
15 (4.6)	35 (377)	30 (323)	65 (700)	50 (538)	11.0 (3.4)	5.7 (1.7)

Light tapers smoothly at edge of field. Dimensions listed define flat area boundaries at which the intensities are approximately 50% of tabulated intensities at beam center.