

Astra Wash19PixIP

IP65 moving wash light with 19x40W RGBW LED and 4°-54° zoom

ORDER CODE: **ASTRAWASH19PIXIP**



The **Astra Wash19PixIP** is an IP65 LED moving wash light, designed to be a workhorse for any large outdoor stage or installation, offering a robust and sealed mechanical assembly but keeping the same features and performance than its indoor version. This moving washlight is equipped with 19x40W Osram RGBW LED light source, and an extremely high-efficiency optical system capable of zooming from 4° to 54°, making this luminaire extremely versatile for any application as aerial FX or wash light. The **Astra Wash19PixIP** is single pixel controllable, with multiple on-board FX, along with precise and advanced white and colour control, all through DMX/RDM, CRMX+W-DMX, Art-Net and sACN.

MAIN FEATURES

- IP65 with a compact form factor and fast movements
- Zoom from 4° to 54° with a high-optical efficiency
- Pixel control, precise white CCT, multiple FXs and colour features

TECHNICAL SPECIFICATION

LIGHT SOURCE

- Source: 19x40 W RGBW Osram Ostar LEDs
- Luminous flux: (4°) 5'505 lm - (54°) 10'143 @full
- Lux: (4°) 45'146 lx - (54°) 1174 lx @5 m full
- Other: outer RGB pixel ring with frost film
- Source life expectancy: > 50.000 h

OPTICS

- Zoom: 4° - 54 ° motorised linear zoom
- Lens type: honeycomb gapless plano-convex optics
- Additional optics: optics: diffuser on outer pixel ring

COLOUR SYSTEM

- Colour mixing: RGBW / FC
- CCT: CCT control, + / - green correction, tungsten emulation
- White presets: 2.800 K ~ 10.000 K
- Colour wheel: virtual colour wheel with macros
- Macros: several pre-built pixel macros with adjustable speed

DYNAMIC EFFECTS

- Control Resolution: 16-bit dimmer, colours
- Pixel patterns: pre-programmed dynamic and static patterns
- FX generator: adjustable foreground/background colour, index, speed, direction
- Special features: outer RGB, pixel ring with several built in FX macros and linear crossfade channel from any white to any colour; virtual CTO on colours

BODY

- Hardware on-board: sockets for quick-Lock Omega bracket (clamp not included)
- Pan angle: 540 °
- Tilt angle: 233 °
- Feedback: automatic repositioning after accidental movement
- Body: weatherproof IP65 construction
- Body colour: RAL 9004

CONTROL

- Protocols: DMX512, RDM, Art-Net, Klingnet, sACN, W-DMX

ACCESSORIES & RELATED PRODUCTS

- 938225L03 3x2.5mm TH07 Cable, 16A SETSAC3MX, 16A SETSAC3FX, L. 3m
- INF53415L03 Dmx cable HC5340. SETMC5MXXB XLR 5p->SETMC5FXXB XLR (f) 5p L.3m
- 9313FXWL03 Ass. 3x2.5mm TH07 cable, 16A 3p 230V CEE plug, SETSAC3FX socket, L.3 m
- 9333FXWL03 Ass. 3x2.5mm TH07 cable, SHUKO plug, SETSAC3FX socket, L.3m
- RSR0630B Steel security cable for hanging bodies, inox steel shackle, L=60 cm, black
- C6002B Slim aluminum clamp, 200kg loading, 48-51mm tubes, M10 bolt, Black
- LRLUNA Single Universe DMX transceiver with Bluetooth

- DMX channels: main personality 29 / 32 / 53 channel
- Pixel control: OFF, ring and pixel2pixel
- Wireless Control: included, LumenRadio Timo Fx DMX/RDM compatible with both CRMX (Lumen Radio) and W-DMX (Wireless DMX)
- RDM: RDM for remote monitoring and settings
- Display: LCD high resolution colour display with autoflip
- Firmware upgrade: yes, via USB - DMX interface (UPBOXPRO/UPBOX2) not included

ELECTRONICS

- Dimmer: linear 0 ~ 100% electronic dimmer
- Dimmer curves: 4 selectable dimming modes available
- Strobe / shutter: 1 - 30 Hz, electronic
- Display battery: self-charging battery backup
- Operating temperature: -20° ~ +45°
- LED Control: flicker free operation
- Selectable PWM: 600 ~ 50.000 Hz

ELECTRICAL

- Mains power supply: 100-240V - 50/60Hz
- Max power consumption: 750 W
- Output (at 230V): 3 units on a single power line
- Power factor: > 0,95
- Inrush current: <30A @115VAC / <50A @230VAC

PHYSICAL

- IP rating: 65 (*)
- Cooling: forced air with fan
- Suspension and fixing: any position with quick-lock omega brackets
- Pan / tilt lock: for transportation and maintenance
- Signal connection: Seetronic XLR 5p IN/OUT connectors
- Data connection: Seetronic Art-Net RJ45 IN/OUT
- Power connection: Seetronic powerCON TRUE IP65 IN/OUT
- Dimensions (WxHxD): 457x578x266 mm
- Weight: 26,4 kg
- (*) NOTE: Suitable for permanent outdoor use, provided installation and maintenance cycles by qualified technicians are carried.

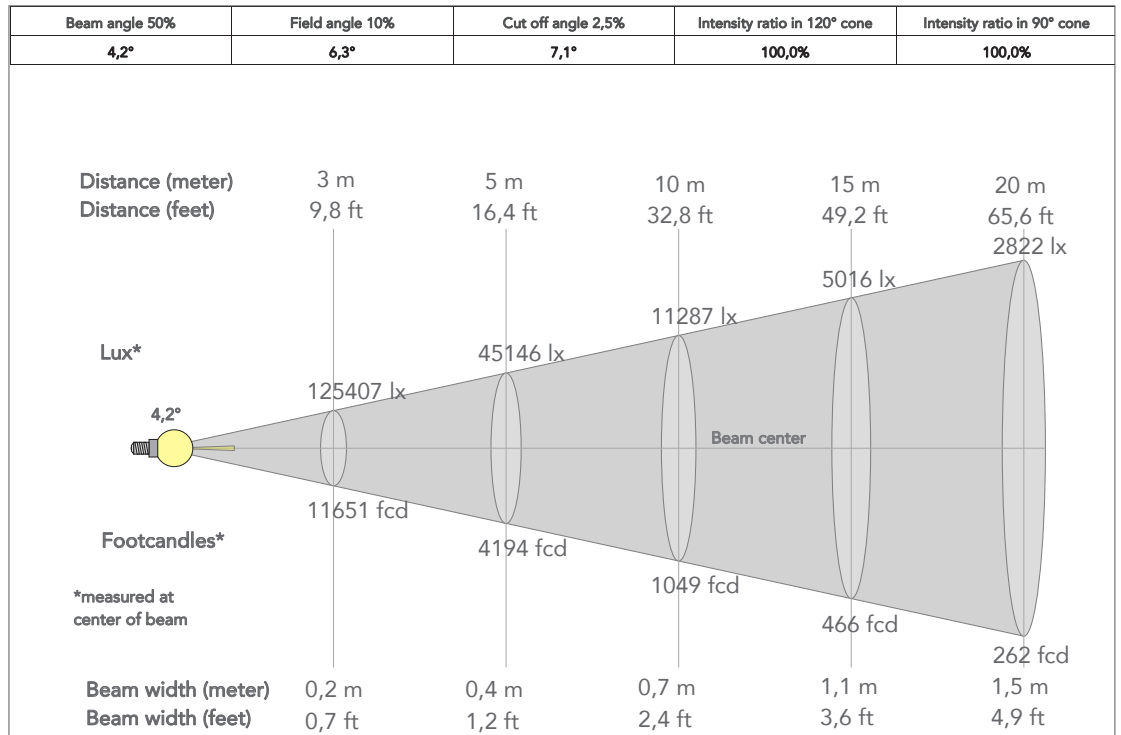
CERTIFICATIONS / APPROVALS

- Certifications / Approvals: CE, UKCA, RCM

- FCLASTRAW19PIXIP Flight case for 6 pcs of ASTRAWASH7PIXIP
- ASTRAW19MBCR Matt black cover for ring for ASTRAWASH19PIX and ASTRAWASH19PIXIP
- ASTRAW19PSF Smooth filter for ASTRAWASH19PIX and ASTRAWASH19PIXIP
- OSIPD13 IP65 quick-lock omega bracket compatible with IP65 moving heads, M12 hole
- OSIP IP65 quick-lock omega bracket compatible with IP65 moving heads
- IPTESTBOX Portable vacuum and pressure tester for ProLights IP fixtures
- UPBOX2P5 Firmware uploader kit, USB IN, 5-pin XLR DMX OUT
- UPBOXPRO Firmware uploader kit, USB IN, 5-pin XLR DMX OUT connector

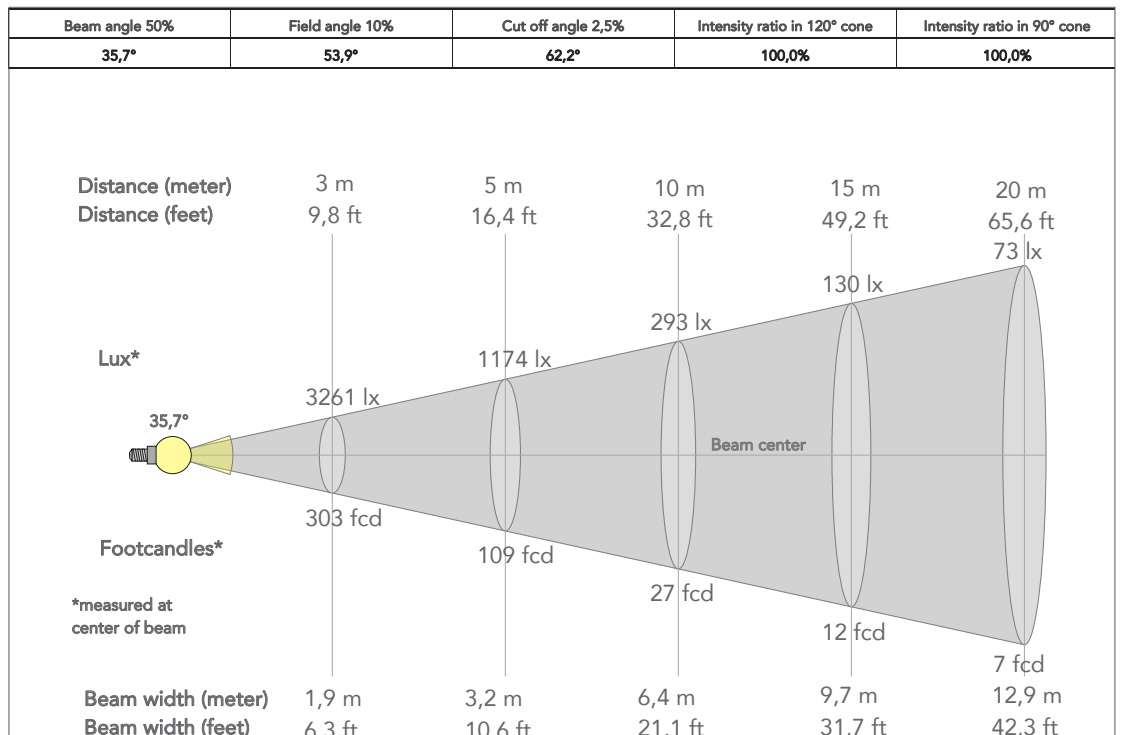
PRESET FULL ON

Beam angle 50%: 4°

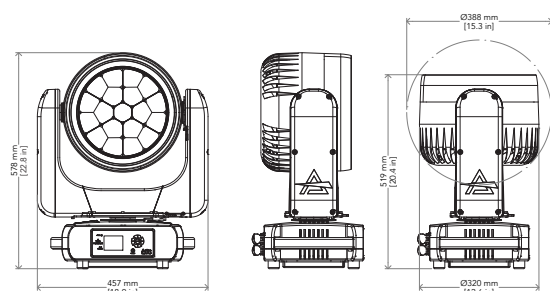


PRESET FULL ON

Beam angle 50%: 35°



TECHICAL DRAWINGS



CERTIFICATIONS / APPROVALS



Conforms to UL STD. 1573
 Certified to CSA STD: C22.2 NO. 166

Visit our website for specifications and tech documentations

